

Valves and Solenoid valves Series NA

2

3/2 - 5/2 - 5/3 way C.C. C.O. C.P.
with Interface according to the standard NAMUR



The pneumatic interface connection is according to the NAMUR standards.
It is possible to equip the solenoid valves with different types of solenoids in conformity with the UL, ATEX standards.

GENERAL DATA

Construction	spool type (pilot operated)
Valve functions	3/2 - 5/2 - 5/3 way
Materials	AL body - stainless steel spool - NBR seals
Mounting	through 2 Ø5 holes in valve body
Ports	2 - 4 = NAMUR 1 - 3 - 5 = G1/4
Installation	directly on surfaces with Namur Interface
Operating temperature	0 + 60°C (using dry air -20°C)
Operating pressure	1,5 - 10 bar double solenoid 2,5 - 10 bar single solenoid
Nominal pressure	6 bar
Nominal flow	Qn = 1000 NI/min
Nominal diameter	8 mm
Fluid	filtered air without lubrication. If lubricated air is used, it is recommended to use ISOVG32 oil, and to never interrupt the lubrication.

CODING EXAMPLE

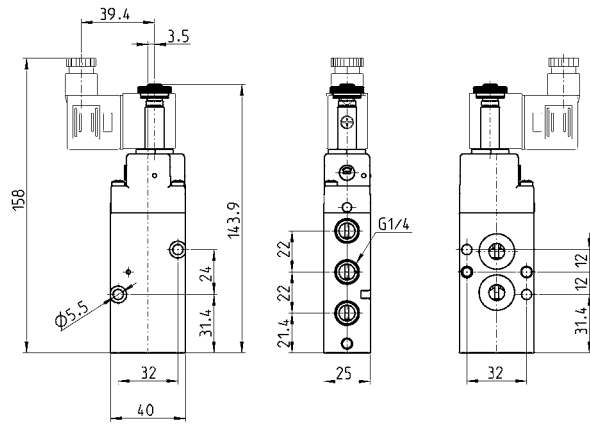
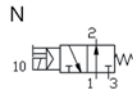
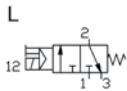
NA	5	4N	-	15	-	02	-	U	7	7
-----------	----------	-----------	----------	-----------	----------	-----------	----------	----------	----------	----------

NA	SERIES NAMUR
5	N° WAYS/POSITIONS: 3 = 3/2 N.C. 4 = 3/2 N.O. 5 = 5/2 6 = 5/3 C.C. 7 = 5/3 C.O. 8 = 5/3 Pressure Centres
4N	PORTS: 4 = G1/4 supply NAMUR Standards
15	ACTUATION: 11 = double solenoid 15 = single solenoid spring return 33 = pneumatic pneumatic 35 = pneumatic spring
02	SOLENOID INTERFACE: 02 = mech. sol. 22 x 22
U	SOLENOID MATERIAL: A = PPS U = PET H = Self-exting. PA Explosion-proof (30 x 30) G = PA
7	SOLENOID DIMENSIONS: 7 = 22 x 22 8 = 30 x 30 9 = 22 x 22
0	SOLENOID VOLTAGE: See solenoids section, page 2.2.35.01

3/2-way solenoid valve N.C and N.O.



*see voltage coding.

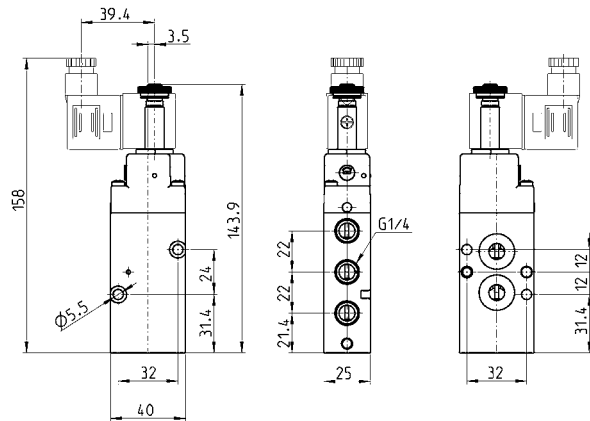


Mod.	Symbol
NA34N-15-02	L
NA44N-15-02	N

5/2-way solenoid valve, monostable



*see voltage coding.

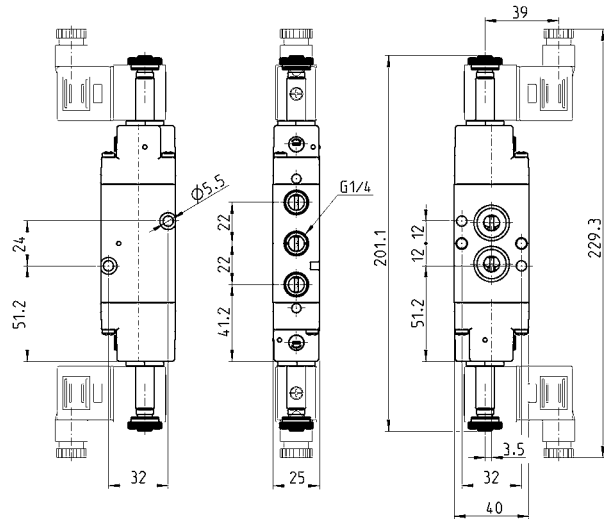
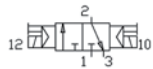


Mod.
NA54N-15-02

3/2-way solenoid valve, bistable

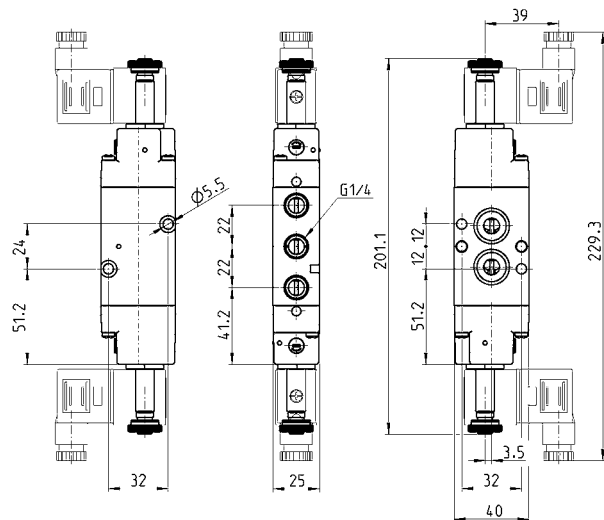


*see voltage coding.



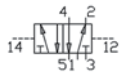
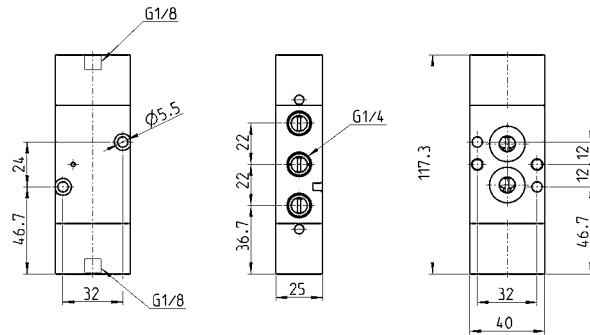
Mod.
NA34N-11-02

5/2-way, solenoid valve, bistable



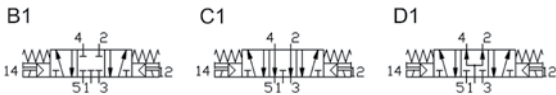
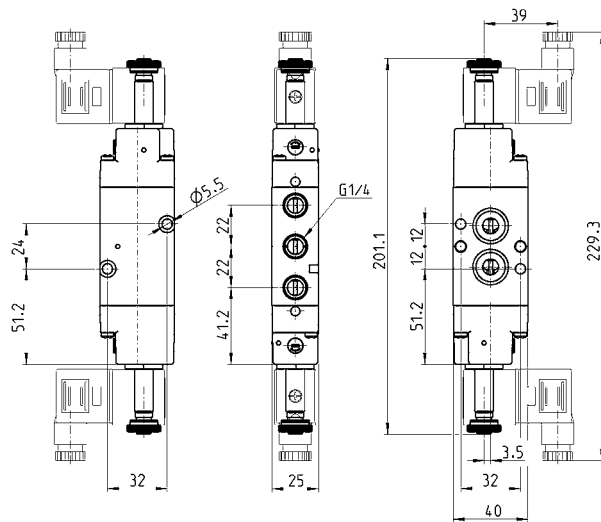
Mod.
NA54N-11-02

5/2-way pneumatic valve, bistable



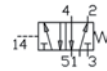
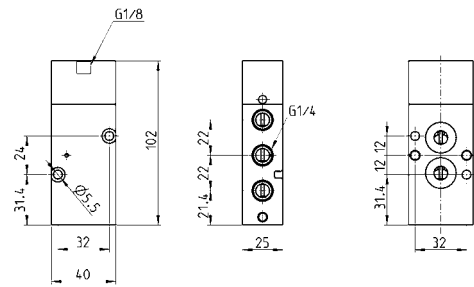
Mod.
NA54N-33

5/3-way solenoid valve C.C. C.O. C.P.



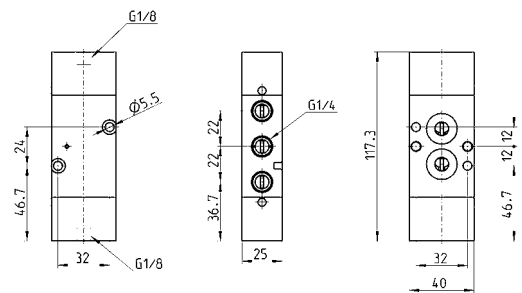
Mod.	Symbol
NA64N-11-02	B1
NA74N-11-02	C1
NA84N-11-02	D1

5/2-way pneumatic valve, monostable



Mod.	NA54N-35
------	----------

5/3 -way pneumatic valve C.C. C.O. C.P.

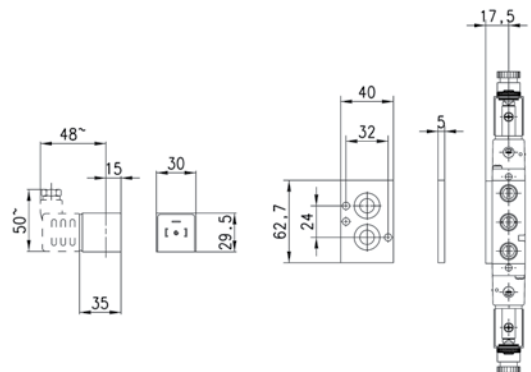


*see voltage coding

Mod.	
NA64N-33	U1
NA74N-33	V1
NA84N-33	Z1

Distance plate Mod. NA54-PC

When using explosion proof coils Series H8
Plate is supplied with:
N° 2 screws
N° 2 O-rings



Mod.	NA 54-PC
------	----------